



POWERHOUSE
CHARGERS



PREMIUM POWER.

HF SERIES CHARGERS

Conventional, Opportunity & Fast!

No Charger is More Efficient or Reliable for Your Battery Fleet.

Intelligent Charging with the Latest Technology

Changing batteries takes time away from moving product and can lead to accidents. Our HF series high frequency chargers allow you to keep the battery in the truck saving time and keeping the work place safe.

Intelligent modular designs delivers redundancy. Power continues to flow to your battery under circumstances that shut down most chargers.

Wireless communication between the FlexMod Charger and the TOBi WI-Z Battery Monitor optimizes every cycle, every time.

Graphic Icon display allows quick identification of charge status and "ready" battery. 24 pre-loaded charger algorithms to charge any battery chemistry, including Lithium Ion. California Energy Commission CEC and Underwrites Labs listed.



Features include:

- ▶ Peak efficiency 94%
- ▶ Power factor 95%
- ▶ Multi-voltage/DC capable
- ▶ Multi-AH capable
- ▶ Small, lightweight modular design
- ▶ Conventional, opportunity or fast charge
- ▶ Shelf or wall mount without additional bracketing or supports
- ▶ Bright easy-to-read graphic icon display

Benefits include:

- ▶ Low energy costs
- ▶ Increase driver productivity
- ▶ Less time on charge
- ▶ Reduce or eliminate battery changes

High Frequency Charger Selector Guide

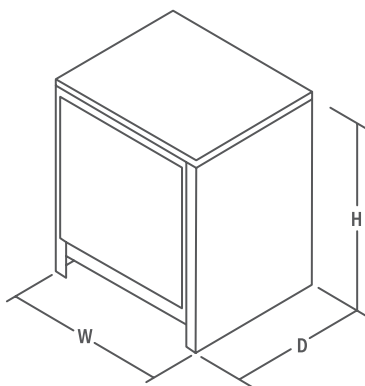
Model	Cells	Phase	MAX DC Output ¹	Conventional AH Range	Opportunity AH Range	Fast AH Range	MAX AC Amps (480 VAC)	Weight
PHF12-65*3	12	3	65	0-390	0-260	0-160	2.5	60
PHF12-130*3	12	3	130	391-780	261-520	161-330	4.9	60
PHF12-195*3	12	3	195	781-1170	521-780	331-490	7.4	65
PHF12-260*3	12	3	260	1171-1570	781-1040	491-650	9.8	65
PHF12-325*3	12	3	325	1571-1960	1041-1300	651-810	12.3	75
PHF18-50*3	12/18	3	50	0-300	0-200	0-130	2.8	60
PHF18-100*3	12/18	3	100	301-600	201-400	131-250	5.6	65
PHF18-150*3	12/18	3	150	601-900	401-600	251-380	8.4	75
PHF18-200*3	12/18	3	200	901-1170	601-800	381-470	11.2	65
PHF18-250*3	12/18	3	250	1171-1510	801-1050	501-630	14	75
PHF18-300*3	12/18	3	300	1511-1810	1051-1200	631-750	16.8	75
PHF18-350*3	12/18	3	350	1811-2110	1201-1400	751-880	19.6	95
PHF18-400*3	12/18	3	400	2111-2410	1401-1600	881-1000	22.4	95
PHF24-37*3	12/18/24	3	37	0-220	0-148	0-90	2.8	60
PHF24-75*3	12/18/24	3	75	221-450	149-300	91-190	5.6	60
PHF24-112*3	12/18/24	3	112	451-670	301-448	191-280	8.4	65
PHF24-150*3	12/18/24	3	150	671-900	448-600	281-380	11.2	65
PHF24-187*3	12/18/24	3	187	901-1130	601-750	381-470	14	75
PHF24-225*3	12/18/24	3	225	1131-1360	751-865	471-540	16.8	75
PHF24-262*3	12/18/24	3	262	1161-1580	866-1048	561-660	19.6	95
PHF24-300*3	12/18/24	3	300	1581-1810	1049-1200	661-750	22.4	95
PHF40-23*3	36/40	3	23	0-140	0-92	0-60	2.8	60
PHF40-45*3	36/40	3	45	141-270	93-180	61-110	5.6	60
PHF40-68*3	36/40	3	68	271-410	181-272	111-170	8.4	65
PHF40-90*3	36/40	3	90	411-540	272-360	171-230	11.2	65
PHF40-113*3	36/40	3	113	541-680	361-452	231-280	14	75
PHF40-135*3	36/40	3	135	681-810	453-540	281-340	16.8	75
PHF40-158*3	36/40	3	158	811-950	541-632	341-400	19.6	95
PHF40-180*3	36/40	3	180	951-1080	633-720	401-450	22.4	95

* = E, D or AG for the voltage code

¹ A/C line 240 = D Will operate at 208 /3/60 with 25% reduction in output
480 = E | 600 = AG



CASE 900 DIMENSIONS	
HEIGHT	
IN	CM
22.60	66.04
WIDTH	
IN	CM
13.13	33.34
DEPTH	
IN	CM
14.63	37.15



Charger Communication:



P46-303 Control Wireless
Communication from charger to computer.

Battery Communication:

TOBi PI Wi-Z
Wireless communication between battery and charger and battery and computer.



The Power Behind Performance



1445 Majestic Drive | P.O. Box 990
Fremont, OH 43420-0990 USA
+1-419-334-7181 | Fax +1-419-334-7124
www.crownbattery.com
commercial@crownbattery.com